


## LP4 Circle-H Helideck Light

	<p><b>Products description and application</b></p> <p>Apply to the offshore helideck for cicle H light(including moving platform and permanent platform, Suitable for offshore oil platform, and any other hazardours areas or vessel's helideck, Certified to explosive gas atmosphere zone 1 and zone 2 area, Certified to explosive gas atmosphere IIA / IIB / IIC area, Suitable for T1-T6 temperature class.</p> <p><b>Features</b></p> <ul style="list-style-type: none"> <li>o Stainless steel 316 light housing, with corrosion and vibration resistant features, IP protection can be IP67, suitable for hazardous outdoor environment.</li> <li>o Professional photometric design, use the high and low temperature resistant PC lens to make sure can be long term photometric qualified.</li> <li>o Engineering plastics light cover, operation temperature can be -50°C, with 4J shock resistance, hot and cold upheaval resistance and 3Mpastatic pressure qualified features.</li> <li>o Lamp is using LED light source, design with professional heat simulation software to make sure the chips' temperature will lower than 85°C when operation to make sure the stable light illuminations.</li> <li>o With Dimming function, can use the PWM or RS485(0-100)to be stepless dimming to avoid light dazzle when pilot approaching.</li> </ul>
--	---

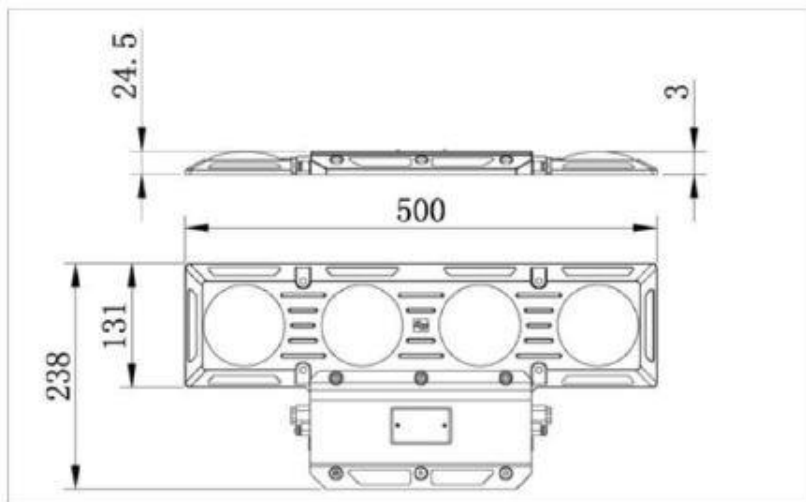
Certificate	EETI	TÜV Rheinland (0035)	TÜV Rheinland (0035)
Issued by Certification No	EETI17.1001	IECEX TUR 17.0006	TÜV 17 ATEX 8000
Standard	GB3836.1-2010 GB3836.3-2010 GB3836.4-2010 GB3836.9-2014 CAP437 Edition 8 ICAO Annex 14 Offshore moving helideck classification standard-2016 GD22-2015	IEC 60079-7:2015 IEC 60079-7:2015 IEC 60079-11:2011 IEC 60079-18:2014 IEC 60598-2013	EN 60079-0:2012 EN 60079-7:2015 EN 60079-11:2012 EN 60079-18:2015
Marking	Ex eb ib mb IIC T6 Gb	Ex eb ib mb IIC T6 Gb (-50°C≤Ta≤+60°C)	II 2G Ex eb ib mb IIC T6 Gb (-50°C≤Ta≤+60°C)

Electrical		Mechanical	
Rated Voltage	DC24V	Housing material	Stainless steel 316
Rated power consumption	< 2W	Light cover	PC
Lamp source	LED	Humidity	10%~95%RH
Lightning surge	GD22-2015 L- L 0.5kV GD22-2015 L-G 1kV	Operating temperature	Ta-50°C ~ +60°C
Electrostatic discharge	GD22-2015 air discharge8kV GD22-2015 contact discharge6kV	IP rate	IP 67
		Weight	4.8Kg
		House color	Yellow/White
EMC	GD22-2015	Cable gland	SuitableforcableØ8~Ø10mm²,and ≤1.5mm² lead wire reliable connected

Photometric			
Intensity	20cd~45cd	Work mode	Steady burning
Vertical beam angle	90°	Horizon beam angle	360°
Light color	Green/Yellow		

### Mounting dimensions

Unit mm



### Wiring diagram

