



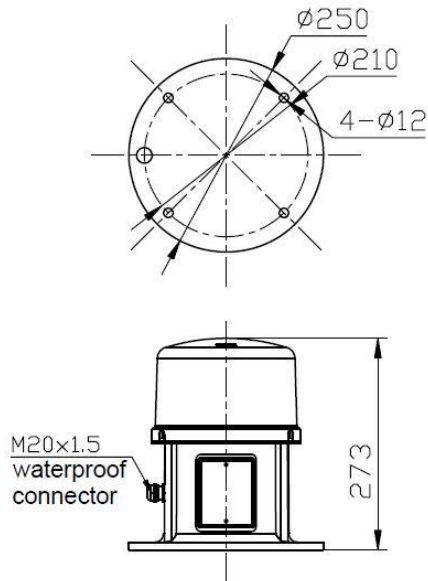
LM101+LM212 Medium Intensity Obstruction Light

<p>LM101 Medium intensity light</p> 	<p>Application LM101 Medium intensity obstruction light for marking Towers (Telecom, GSM), Smokestacks (heat-engine plant, coking plant, chemical plant etc.), Buildings, Port devise, Construction machinery, wind, power, generator, etc. for air traffic warning.</p>
<p>LM212 Dual Medium Intensity Light</p> 	<p>Major functions & Features</p> <ul style="list-style-type: none"> • Based on LED technology, and meeting optics standard • Built in circuit protect LED, extremely reliable and cost saving. • Shockproof and corrosion resistant. • Combustibility rating : UL94-V0 • Faulty alarm function when light fails, it will output alarm signal. Alarm signal is dry contact. Normal status is closed, alarm status is open. . • LM212 Dual lights aviation obstruction light, when the basic layer light error happens, The upper light would work automatically. • GPS synchronization function could be customized With photocell and it would see the daytime and night • Error alarm function dry contact output (Normally closed contact: No power input or Light error happens normally closed, When the light is well, it would be on)

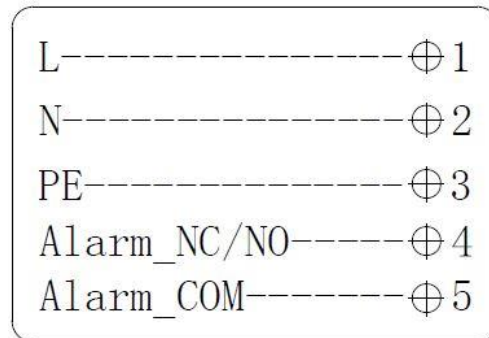
Specification

International standard	ICAO (Annex 14) medium intensity aviation obstruction light standard and FAA L864	Vertical degree	3°
Light source	LED	Horizontal degree	360°
Color	Red	Flasing rate	20/30/40/60FPM Steady burning Could be customized)
Supply voltage	AC100-240V/DC48V	LED life	≥100,000h
Power consumption	<60W(steady burning)	On/Off level	50Lux
Intensity	2000±25%cd		
Working mode	LM101 Medium Intensity Aviation Obstruction light: single light works LM212 Dual integrated Aviation Obstruction Light: Basic Layer light work, Upper light for backup		
Ambient temperature	-40°C~+70°	IP protection	IP65
Humidity	10% ~ 95% (no coagulation)	Weight	5,5 Kg
Material	Base: Aluminum alloy, Housing: PC Reflector: ABS, vacuum plating		

Mounting dimensions (mm)



Connect drawing



Installation and operation

- Secure the light on a smooth surface which has enough strength, if there is no mounting surface, we can customize special mounting bracket as request.
- When installation, please leave the photoelectric sensor top away the nearby light source, At the same time, ensure the photocell will not be covered by the near object.
- Built-in GPS, ensure that light is not blocked by object.
- Make sure the power supply can match with the rated power of light before connecting.
- Unfasten two screws fixed on the nameplate and then remove the nameplate panel.
- Insert the power cable from the gland box and then connect them to the corresponding terminals inside the lamp body.
- Check whether the power cables are connected correctly before power on.

Notice

- The part of material of products is PC (like lamp cover and lampshell), so it cannot direct or indirect touch the organic solvent, such as industrial alcohol, banana oil, isopropyl alcohol, carbon tetrachloride, cyclohexanone and so on, otherwise, the product will be corrosion.
- Temperature rise when light working is normal phenomenon.
- Please do not open any components inside by yourself.
- This product is a sealed structure; Please do not be tampered with by anyone other than registered installer.