

## LH86

### High Intensity Obstruction Light



#### Products description and application

LH86(L) High-intensity aviation obstruction lights are used to mark buildings that may cause damage to aircraft. Combine with advanced LED, optical and system control technology to meet the most demanding applications. Suitable for obstacles with a height of 150 meters. Suitable for high salinity corrosion area.

#### Features

- Aluminium alloy die-cast shell, yellow electrostatic powder coating surface, anti-vibration, corrosion-resistant.
- Anti-UV, shock-resistant PC housing; flammability level: UL94V-2.
- Waterproof silicone seal structure.
- Light source using LED technology, long life, low energy consumption, high efficiency.
- Professional EMC design, anti-electromagnetic interference.
- Wind load level: 240km/h
- Day and night auto switch, can be controlled by local time or photocell.
- Lamp with fault alarm detection and alarm output.
- GPS synchronisation function (optional).

#### Specifications

Standard	CAAC	MH/T 6012-2015, AC-137-CA-2017 Aviation Obstruction Light
	ICAO	ICAO Annex 13 Volume 1, Eighth Edition Aerodrome Design and Operations
	FAA	Advisory Circular 150/5345-43J Specification for Obstruction Lighting Equipment

#### Electrical parameters

Input Voltage	220V 50Hz/60Hz
Rated Power	90W (daytime)
Surge Lighting	IEC61000-4-5 L-N -6kV
Protection	IEC61000-4-5 L-PE -6kV IEC61000-4-5 N-PE -6kV
Electrostatic discharge	IEC61000-4-2 Contact discharge 8kV

#### Mechanical parameters

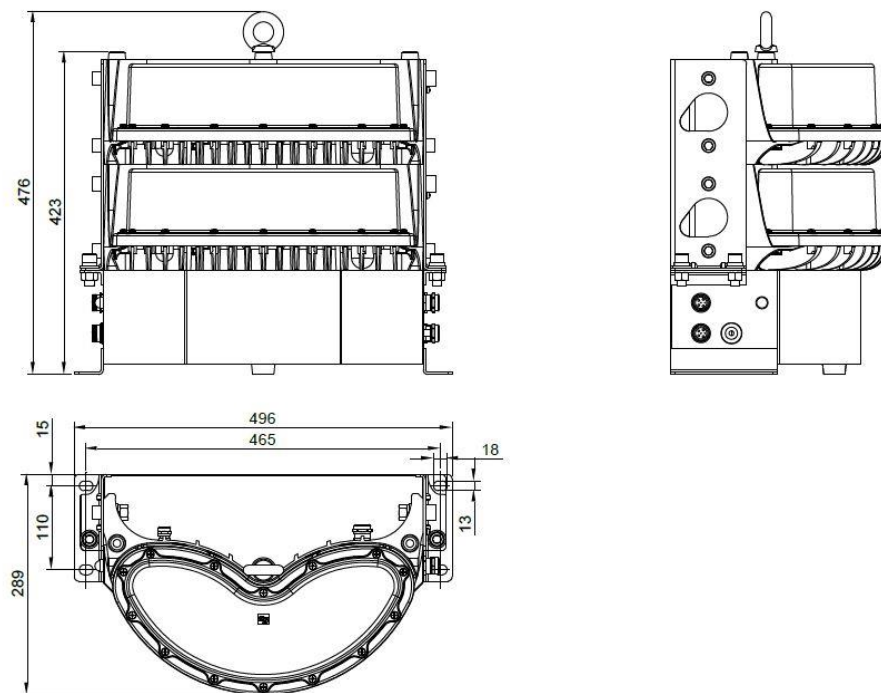
Operating temperature	-40 °C~+55°C
Ambient humidity	0%~95% RH(No condensation)
Storage temperature	-55°C~+70°C
IP rate	IP65
Weight	20Kg

#### Meteorological

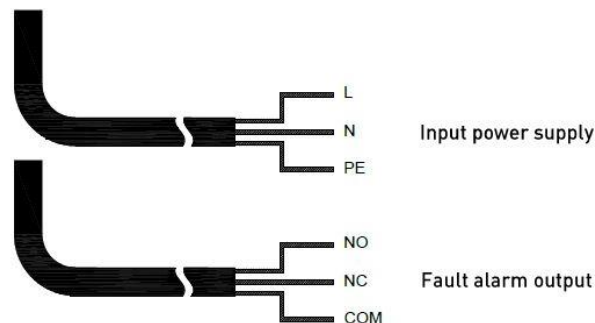
Light source	LED
LED lifespan	≥100000h
Signal Type	flashing
Flash Rate	40FPM
Horizontal Beam	90°
Spread Vertical Beam	≥3°
Intensity	Day time: 200.000cd 25%cd Dawn/Dusk: 20.000cd 25%cd Night: 2000cd 25%cd
On/Off level	Night(<50Lx), Dawn(50-500Lx) Day time(>500Lx), Dusk(50-500Lx)

## Mounting dimensions

Unit:mm



## Wiring diagram



## Installation method of use

- Please install the light horizontally, and make sure the mounting plane has sufficient strength; the mounting bracket can also be customised according to the specific situation.
- When installation, please stay away from the nearby light source, at the same time, ensure the photocell will not be blocked by the near objects (suitable for the type with photocell).
- Make sure the power supply can match the rated power of the light before connecting.
- GPS synchronization test should be in the outdoor environment without any block. Synchronization takes about minutes (Only suitable for the type of synchronization with GPS).
- According to the mark on the wiring label of the lamp lead out wire, connect the power cable and then alarm cable correctly, please pay attention to the positive and negative polarity of DC voltage.
- The default factory setting of the flash rate is times/min. If need customized, please inform when purchasing.

Note: When the input voltage is in 220V(~)

If using 1.5mm cable as incoming power cable, The maximum distance from the electrical cabinet to the light is 762m  
 If using 2.5mm cable as incoming power cable, The maximum distance from the electrical cabinet to the light is 762m

### Precautions

- For high-power lamp, the surface temperature is high, it cannot be covered. And the distance from the object no less than 3m, to avoid burns or fire.
- The part of material of products is PC (like lamp cover and lamp shell), so it cannot direct or indirect touch the organic solvent such as industrial alcohol, banana oil, isopropyl, carbon tetrachloride, cyclohexanone and so on, otherwise, the product will be corroded.
- If the temperature rises during operation, it is normal.
- If with delay judgment after photocell change detected which is a normal phenomenon.
- Fault alarm will be delayed, is a normal phenomenon (For example, the maximum 24- hours delay of photocell fault, the maximum 1 hour delay of GOS fault).
- Please do not open any components inside by yourself and do not look light horizontally to protect your eyes when light is working.
- This product is sealed structure, non-professional maintenance personnel do not disassemble, once discovered, the company will not warranty,
- Light has own lead out wire, it can not be dismantled, the power cord is Z type for connection, to make sure the IP rate of the product is IP65, it must need use the waterproof connections and the junction boxes with IP rate is higher than IP 65 between the lead wire. Light will be scrapped if the cable will be damaged.