

EOL-TE-LED | LED elevated taxiway edge light - Airsafe



COMPLIANCE:

- ICAO Annex.14, Vol I.
- FAA AC 150/5345-46
- UNE IEC-TS 61827
- EASA CS-ADR-DSN.
- STANAG 3316
- AENA PPT-017_04-12



BOARDING TIME

BOARDING PASS

NAME OF PASSANGER

FROM:

TO:

DATE

FLIGHT
GAES2020

GATE

23

SEAT

21B

GATE CLOSSES 30 MINUTES BEFORE DEPARTURE

GAES 454843121451100

GOMINTEC

BOARDING PASS

GOMINTEC

Uses

LED elevated taxiway edge light for airports CAT I, II & III, according to ICAO Art.5.3.18.8

Features

- Robust body built on high strength aluminum alloy, anti-corrosion treatment and excellent thermal dissipation.
- Reduced height to minimize the jet blast impact.
- Stainless steel hardware to grant the waterproof and corrosion resistance.
- Glass diffuser with high resistance to the temperature and abrasion.
- Long-life and robust design to guarantee the waterproof of the equipment over the years.
- Integrated electronic encapsulated in epoxy resin.
- Compatible with existing serial circuits without need of changing the isolation transformers.
- Regulated light output.
- Optional "Fail Open" monitoring device.
- Integrated surge protection.
- Efficient control of LEDs operating temperature, increasing the light life and avoiding color change.
- Saturated LED colors ensuring clear identification of the lights at all brightness levels and any viewing angle.
- The long-life of the equipments, with low maintenance and consumption, involve directly a reduction of operational costs.

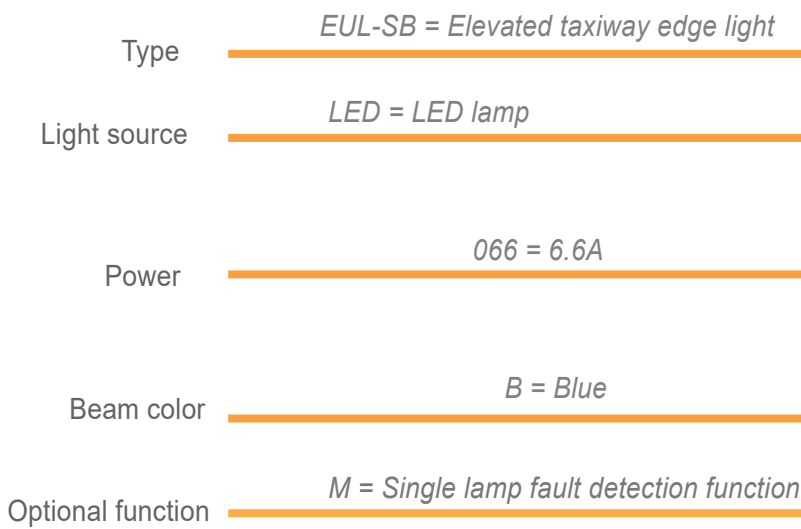
Specifications

- Power: 2.8A ~ 6.6A, according to FAA EB67.
- Average life: minimum 60.000h at maximum brightness and 100.000h in a normal operating conditions.
- Color: Blue
- Consumption: $\leq 4VA$, $FP \geq 0.95$
- Index Protection: IP67
- Installation for 15W isolation transformer

EOL-TE-LED | LED elevated taxiway edge light - Airsafe

Order Code

EOL-TE -LED - XXX - B - X



Installation

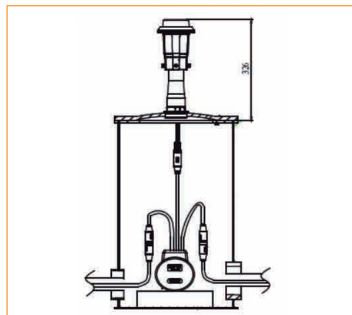


Figure 1
 On 12" deep base

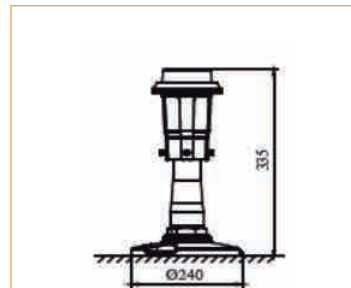
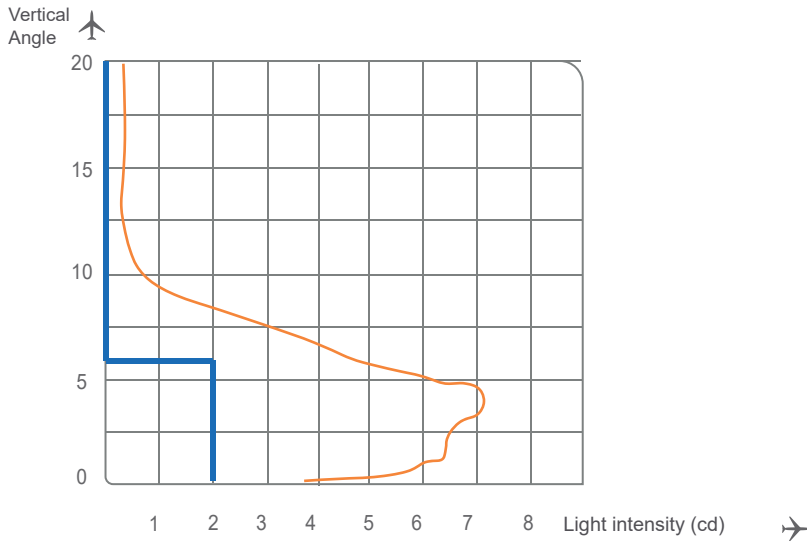


Figure 2
 Flange direct mount

EOL-TE-LED | LED elevated taxiway edge light - Airsafe

Photometry

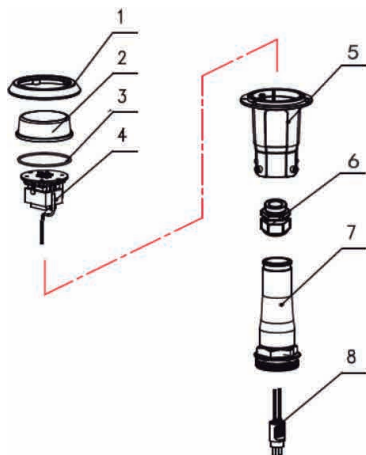


EUL - TE - LED, ICAO Art.5.3.18.8, Blue

| Application | | Main beam | | Color | Required min. avg. cd. | Actual avg. cd. |
|-------------|--------------------|-----------|---------|-------|------------------------|-----------------|
| | | H | V | | | |
| EOL-TE-LED | ICAO Art. 5.3.17.8 | 360° | 0 a 6° | Blue | 2 | 2,3 |
| | | | 6 a 75° | Blue | 0,2 | 0,2 |
| | FAA L-861T | 360° | 1 a 6° | Blue | 2 | 2,5 |



Structure



- 1 Upper cover
- 2 Prism
- 3 Light body gasket
- 4 Photoelectric assy
- 5 Light body
- 6 Waterproof gland
- 7 Frangible pole
- 8 Plug

EOL-TE-LED | LED elevated taxiway edge light - Airsafe

Spare Parts

| N° | Order No. | Description |
|----|-----------|--------------------------------|
| 2 | 931116 | Prism |
| 3 | 41114 | Body seal gasket |
| 7 | 24211 | Frangible pole |
| 8 | HT70603 | Secondary cable connector - A6 |

Accessories

| N° | Order No. | Description |
|----|-------------|-----------------------------------|
| 1 | FL-10 | Flange 10" |
| 2 | FL-12-X-G2 | Flange 12" |
| 3 | 54101 | Six angle wrench |
| 4 | ITF-015-066 | 15W isolation transformer |
| 5 | REC 7 | Secondary cable connector style 7 |
| 6 | 954211 | Corrector |
| 7 | TJB-12 | Isolation transformer box |



Weight and Dimensions

- | | |
|-------------------------|--------------------------------|
| • <i>Packaging size</i> | 300 × 255 × 380mm ³ |
| • <i>Weight</i> | 5,50 kg |